

# Multilane Sachet Machine SA600

Viking Masek's multi-lane sachet machines make eye-catching 4-side sealed packets using just one roll of packaging film. Running quietly and smooth, the SA600 is a reliable, flexible and fast solution for your sachet needs.



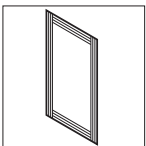
max.  
speed

80  
cpm

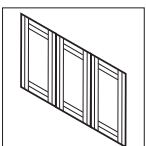
bag  
size

max.  
250 mm × 200 mm (9.84" × 7.88")  
min.  
40 mm × 50 mm (1.57" × 2")

Bag  
Types



Bag  
Options



# Multilane Sachet Machine SA600 In Detail

Looking for speed and flexibility in your sachet needs? Our versatile multi-lane SA600 sachet machines can accommodate from 1 to 10 lanes to form sachet pouches. Designed to pack powders; dense, fine, loose and particulate materials as well as liquids and semiliquids into 4-side sealed sachets and to accommodate different bag shapes including tear notches and easy-open systems. Fully automated cartoning solutions are offered to suit your needs.

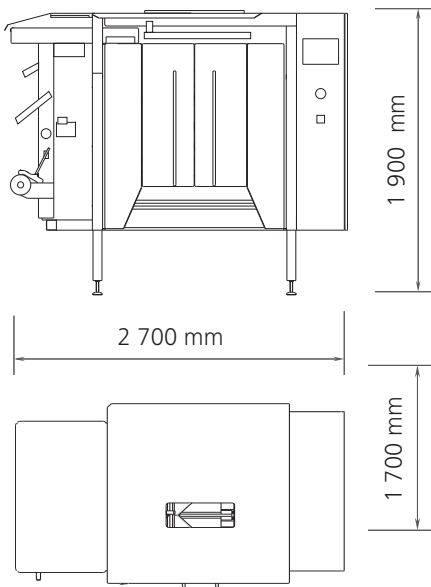
## features

- › Powered film unwind with film tension control
- › Film slitters and forming tubes – set per bag size
- › Discharge chutes
- › Siemens or Allen Bradley control system
- › Automatic film tracking
- › GMP construction

## options

- › Straight cut
- › Zigzag cut
- › Die cut
- › Easy open features like tear notch or microperforation
- › Various seal patterns and shapes
- › Automatic bag length adjustment
- › Individual discharge chutes
- › Empty sachet rejection
- › Dust suction nozzles
- › Static elimination
- › Film edge trimming and suction
- › Embossing in the longitudinal seal
- › Stainless steel construction
- › Pharma construction (IQ/OQ)
- › Multi-lane volumetric filler, servo auger filler or servo liquid fillers
- › Robotic pick-and-place unit and automatic cartoning solutions
- › Hot stamp, Inkjet, or thermal transfer printer
- › In-feed and out-feed conveyors

## Machine drawings



**Max. speed**  
80 bpm

**Weight**  
1 500 kg (3,310 lbs)

**Sachet width**  
40–250 mm  
(1.57”–9.84”)

**Air pressure**  
6 bar  
(15 CFM at 90 PSI)

**Sachet length**  
50–200 mm  
(2”–7.88”)

**Power supply**  
6.8–8 kVA  
(480 V, three phase,  
60 Hz., 30 AMPS)



### Europe, Asia, Africa, Australia

Viking Mašek, a.s. | Průmyslová 1747 | 258 01 Vlašim | Czech Republic

**Phone** +420 317 850 500 | **Email** info@masek.cz | **Website** www.masek.cz, www.vikingmasek.cz

### North and South America

Viking Masek Global Packaging Technologies, Inc. | 40 Woodland Court | Oostburg, WI 53070 | USA

**Phone** +1 920 564 5051 | **Email** sales@vikingmasek.com | **Website** www.vikingmasek.com