



Drive sprocket wheels for dry cylinders

**Heavily loaded wheels
as a ring or in segments
for driving wheels
mainly in the dry zone**

ADVANTAGES

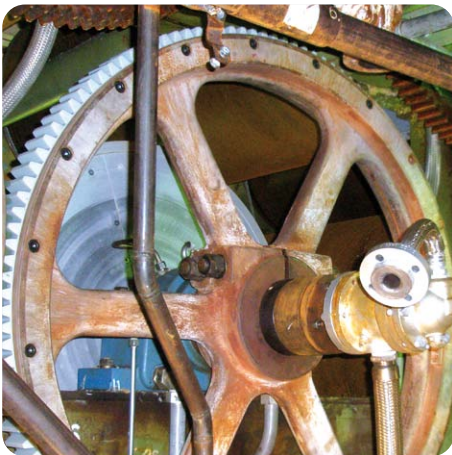
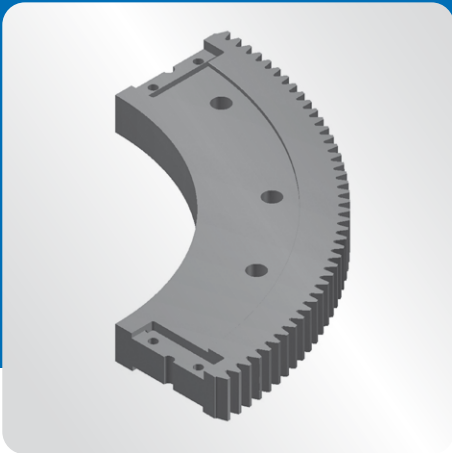
- **Outstanding resistance to mechanical stress**
- **Outstanding thermal capacity**
 - Max. continuous operating temperature of 110 °C
 - Material is additionally heat stabilised
- **No embrittlement**
 - Material conditioning
- **Special additives are reducing tooth breakage**
- **Extremely wear resistant**
- **Self-lubricating**

Röchling LERIPA Papertech GmbH & Co KG

Röchlingstraße 1, 4151 Oepping, Austria

Tel.: +43 (0) 7289 4611-0 Fax: +43 (0) 7289 4611-80

www.leripa.com, e-mail: robaproducts@leripa.com



**Available with STEEL PARTS
FOR SPECIAL SOLUTIONS
(2-part sprockets)**

SUPPLY RANGE

Single-piece manufacture:

- Max. diameter of 2,5 m
- Max. thickness of 250 mm
- Installation on machine possible

Segment design:

- No dimensional limit
- Special connection technology ensures gap-free connection between segments
- Assembly on the steel core at Leripa
- Steel core adjustment necessary

MATERIALS

Single-piece manufacture:

ROBATEC A

Segment design:

ROBATEC-A & ROBADUR

REFERENCES

- Munskjö Aalen, GER
- Oudegem Papier, BEL
- Nordic Papier Säffle, SWE
- Nordic Paper Amotsfors, SWE
- Carl Macher, GER
- Kotlas, RUS
- Paul Hartmann, AUT
- El Obuour, EGY

Our extensive reference list is available upon request.

Röchling LERIPA Papertech GmbH & Co KG

Röchlingstraße 1, 4151 Oepping, Austria

Tel.: +43 (0) 7289 4611-0 Fax: +43 (0) 7289 4611-80

www.leripa.com, e-mail: robaproducts@leripa.com