

FLOWLINE™ Single Bag Filter Housing



Lightweight, cost-effective single bag filter housing meets a wide range of applications

Eaton's FLOWLINE single bag filter housing is a versatile, heavy-duty, cost-effective bag filter housing and the best choice for industrial, commercial and OEM applications that do not require a code stamp.

This single bag filter housing's lightweight but robust construction incorporates valuable features that heavy-duty applications demand. Units come standard with filter bag size 01 or 02 stainless steel restrainer baskets.

Features

- Side inlet with evacuation cover prevents spillage of unfiltered liquid, allowing for clean and easy filter bag change-outs
- Easy open cover features integral handle, 1/4" vent or gauge ports and "no tools" eye-bolt closures
- Cover opening direction easily adapts to different piping layouts and adjusts in the field to accommodate walls, posts or other obstructions

- Fabricated construction provides a cost-effective, lighter weight alternative to cast bag filter housings
- Adjustable mounting legs for simplified installation
- Ergonomic, integral cover handle is easy to open
- Smooth, bead-blasted finish, coupled with a minimum number of welds makes it easy to completely clean the interior
- Standard design available with threaded or flanged connections
- Constructed with 316 Ti stainless steel for high corrosion resistance

Options

- Buna-N® O-rings for the cover are standard. EPDM or Viton® seals and gaskets are available
- Multiple I/O connections to suit application

Viton® is a registered trademark of E. I. du Pont de Nemours and company.

EATON

Powering Business Worldwide



Compression bag hold down creates 360 degree sealing between filter bag and bag filter housing



Ergonomic, integral cover handle is easy to open and close

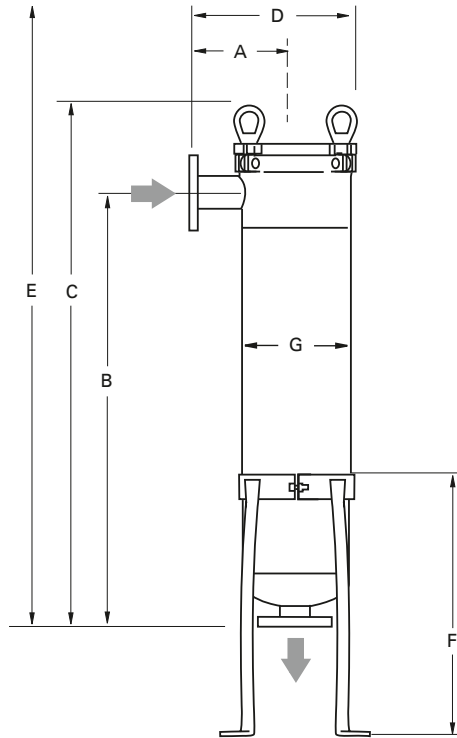
FLOWLINE Single Bag Filter Housing

Applications

Coarse filtration > 500 µm ✓
 Medium filtration > 10 µm
 Fine filtration < 10 µm

Pre-filtration ✓
 Safety filtration
 High volume
 Batch filtration ✓
 Circuit filtration
 Continuous filtration

Solvents, paints
 Fats and oils
 Catalyst, activated carbon
 Acids, bases
 Petrochemicals
 Water, waste water ✓
 Chemical industry
 Pharmaceuticals
 Metal cleaning
 Automotive
 Electronics
 Food and beverage
 Paint and lacquer
 Water treatment ✓
 Galvanic industry



Dimensions - mm

Models	A	B	C	D	E	F	G
FBF-0101	150	489	656	265	939	485	195
FBF-0102	150	884	1051	265	1708	485	195
FBF-0101	150	487	654	299	965	485	195
FBF-0102	150	882	1049	299	1753	485	195

Dimensions for reference only and approximate. Exact dimensions for installation purposes available on request.

Technical data

Models	No. of filter bags	Size	Flow rate ¹ m ³ /h	Max. pressure bar	Max. temp. °C	Housing volume l	Housing weight kg	I/O connections
FBF-0101	1	01	20	10	120	15.5	17	2" BSP female thread
FBF-0102	1	02	40	10	120	27	23	2" BSP female thread
FBF-0101	1	01	20	10	120	15.5	21.5	DN 50 PN 16 (DIN flange)
FBF-0102	1	02	40	10	120	27	27	DN 50 PN 16 (DIN flange)

¹ Maximum theoretical flow based on water viscosity, filter bag specific.

North America
 44 Apple Street
 Tinton Falls, NJ 07724
 Toll Free: 800 656-3344
 (North America only)
 Tel: +1 732 212-4700

China
 No. 3, Lane 280,
 Linhong Road
 Changning District, 200335
 Shanghai, P.R. China
 Tel: +86 21 5200-0099

Europe/Africa/Middle East
 Auf der Heide 2
 53947 Nettersheim, Germany
 Tel: +49 2486 809-0

Singapore
 4 Loyang Lane #04-01/02
 Singapore 508914
 Tel: +65 6825-1668

Friedensstraße 41
 68804 Altlußheim, Germany
 Tel: +49 6205 2094-0
 An den Nahewiesen 24
 55450 Langenlonsheim, Germany
 Tel: +49 6704 204-0

Brazil
 Rua Clark, 2061 - Macuco
 13279-400 - Valinhos, Brazil
 Tel: +55 11 3616-8400

For more information, please email us at filtration@eaton.com or visit www.eaton.com/filtration

© 2017 Eaton. All rights reserved. All trademarks and registered trademarks are the property of their respective owners. All information and recommendations appearing in this brochure concerning the use of products described herein are based on tests believed to be reliable. However, it is the user's responsibility to determine the suitability for his own use of such products. Since the actual use by others is beyond our control, no guarantee, expressed or implied, is made by Eaton as to the effects of such use or the results to be obtained. Eaton assumes no liability arising out of the use by others of such products. Nor is the information herein to be construed as absolutely complete, since additional information may be necessary or desirable when particular or exceptional conditions or circumstances exist or because of applicable laws or government regulations.

EN
 EF-FBH-12
 03-2017

