

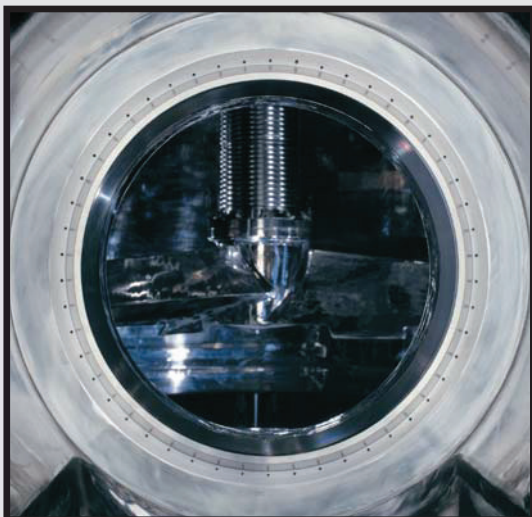
# MULTIDRY EV

## FEATURES

- Vertical vacuum “pan” dryer
- Recommended for vacuum drying of powders
- Includes: removable cylindrical base, flanged on top to a dished head, “S” shaped agitator with special ends to lift the product, dust filter, and side-mounted, plug type discharge valve
- The uniquely designed agitator gives efficient product mixing and increased heat transfer

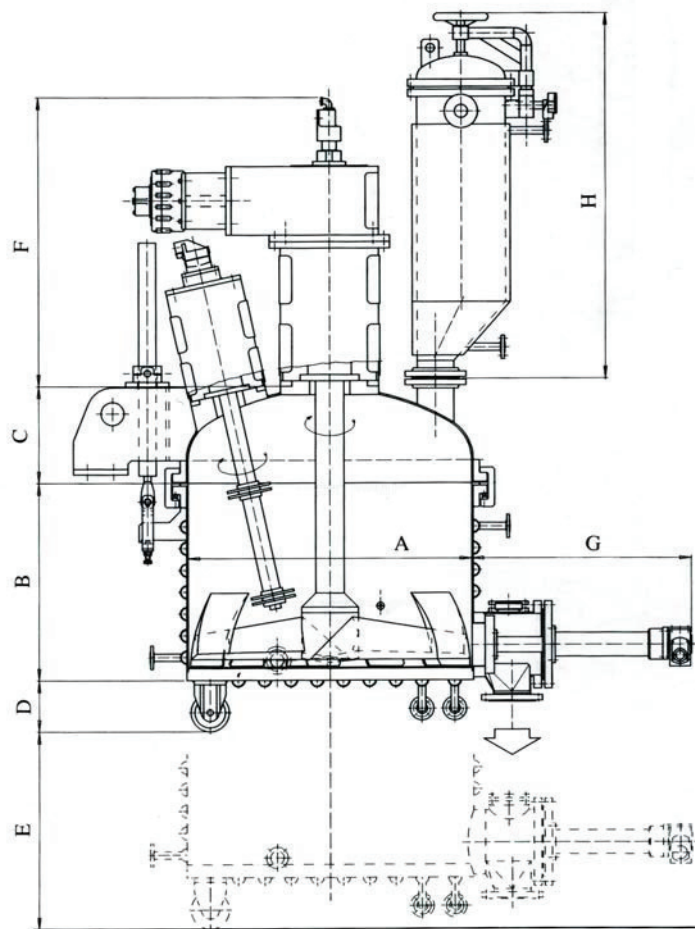
## OPTIONS

- Available volumes from 120 to 10.000 liters
- Main flange with C-clamps or hydraulic bayonet closure
- Double mechanical seal wet, dry or “lift-off”
- Side mounted discharge port with an O-ring, metal-to-metal or “reverse” seal
- Lump Breaker
- Agitator with vertical movement
- Available in chemical, pharmaceutical and sterile versions
- Vacuum, solvent recovery, heating & cooling, inerting systems
- PLC automation systems
- Material in contact with the product: 316 L Stainless Steel, SAF 2205, Uranus B6, Hastelloy C 22, Titanium and many more



3V Cogeim offer their customers an efficient network of after-sales service, a large number of rental pilot units, a modern pilot plant, an unequalled research and development division, and take great pride in the ability to team-work with their customers

# MULTIDRY EV



	Total volume m <sup>3</sup>	Product volume m <sup>3</sup>	A mm	B mm	C mm	D mm	E mm	F mm	G mm	H mm
<b>EV 120</b>	0,15	0,11	600	400	230	290	450	1050	850	600
<b>EV 250</b>	0,26	0,17	700	500	265	290	550	1000	850	600
<b>EV 500</b>	0,59	0,38	900	640	370	330	700	1310	950	900
<b>EV 700</b>	0,80	0,58	1050	675	425	330	800	1310	950	900
<b>EV 1000</b>	1,22	0,75	1200	750	450	330	800	1550	950	1500
<b>EV 1500</b>	1,55	1,05	1300	845	450	330	900	1750	950	1950
<b>EV 2000</b>	2,00	1,38	1400	960	510	330	1050	1950	950	1950
<b>EV 2500</b>	2,50	1,65	1600	870	560	330	950	2100	950	2250
<b>EV 3000</b>	3,05	2,00	1800	800	610	380	850	2350	950	2250
<b>EV 4000</b>	4,07	2,90	1800	1200	610	380	1250	2600	950	2600
<b>EV 5000</b>	5,15	3,50	2000	1150	680	380	1200	2800	950	2600
<b>EV 6000</b>	6,20	4,20	2200	1150	740	380	1200	2950	950	2600
<b>EV 8000</b>	8,10	5,70	2500	1370	900	430	400	2950	1250	2600
<b>EV 10000</b>	10,30	7,50	2800	1370	920	-	-	3000	1250	2600

