

MIXODRY EMV

FEATURES

- Conical vacuum mixer-dryer
- Recommended for vacuum drying and homogenizing powders
- Includes: a conical section flanged to a dished head, a mixing auger that revolves and rotates, a dust filter
- The agitator's two actions move the total amount of the product in the vessel from the bottom to the top
- The conical vessel allows the complete discharge after drying
- The auger is supported from the top

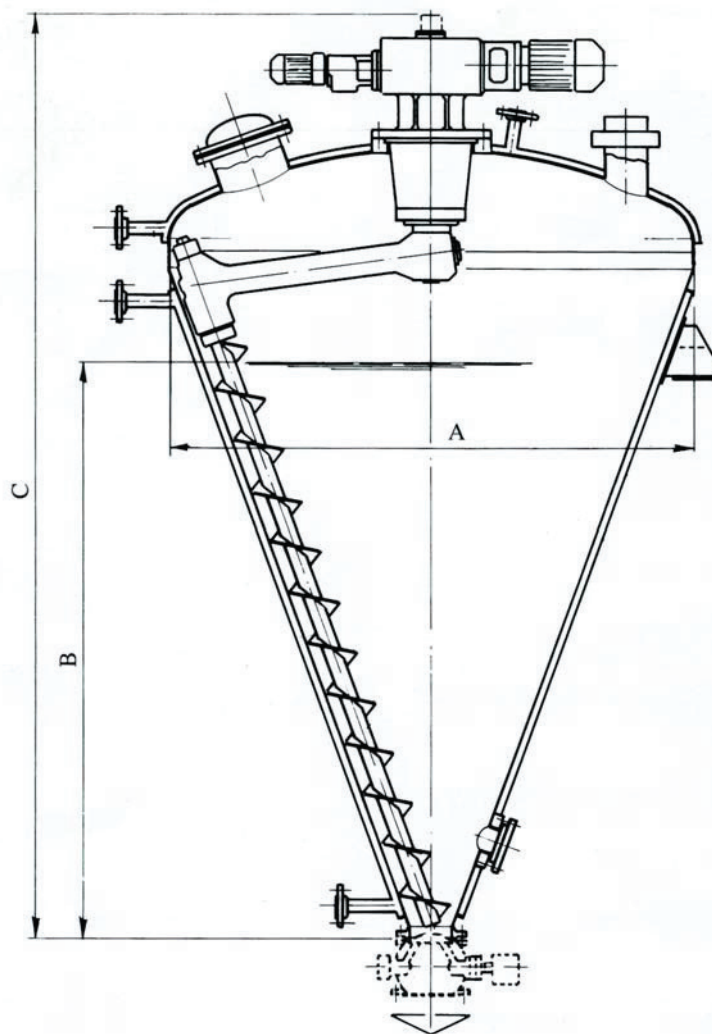
OPTIONS

- Available volumes from 120 to 10.000 liters
- Single or double mechanical seal dry running or "lift-off"
- Available in chemical, pharmaceutical and sterile versions
- Vacuum, solvent recovery, heating & cooling, inerting systems
- PLC automation systems
- Material in contact with the product: 316 L Stainless Steel, SAF 2205, Uranus B6, Hastelloy C 22, Titanium and many more



3V Cogeim offer their customers an efficient network of after-sales service, a large number of rental pilot units, a modern pilot plant, an unequalled research and development division, and take great pride in the ability to team-work with their customers.

MIXODRY EMV



	Total volume m ³	Product volume m ³	A mm	B mm	C mm
Pilota	0,17	0,07	700	700	1600
EMV 600	0,65	0,30	1100	1250	2200
EMV 1000	0,95	0,50	1250	1500	2600
EMV 2000	2,00	1,00	1600	1850	3100
EMV 4000	4,53	2,00	2100	2300	3800
EMV 7000	7,26	3,50	2400	2850	4500
EMV 10000	9,65	5,00	2700	3200	5100

