

STERIDRY ES

FEATURES

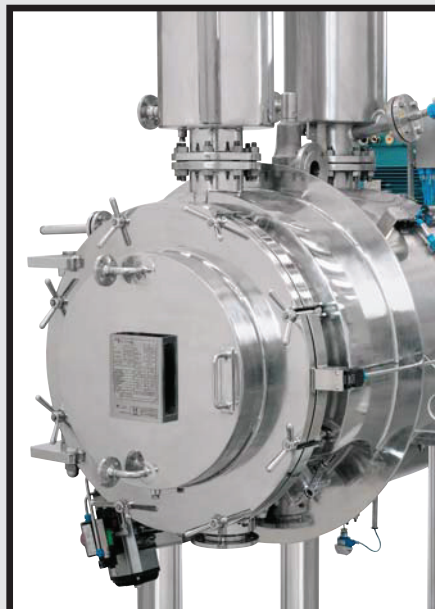
- Horizontal vacuum paddle dryer
- Recommended for vacuum drying of powders
- Includes: a quick-opening, hinged flat end, a welded flat end, a special cantilevered agitator with heated paddles, a double mechanical seal, a dust filter, and either a bottom mounted discharge valve or a plug valve mounted on the hinged end

OPTIONS

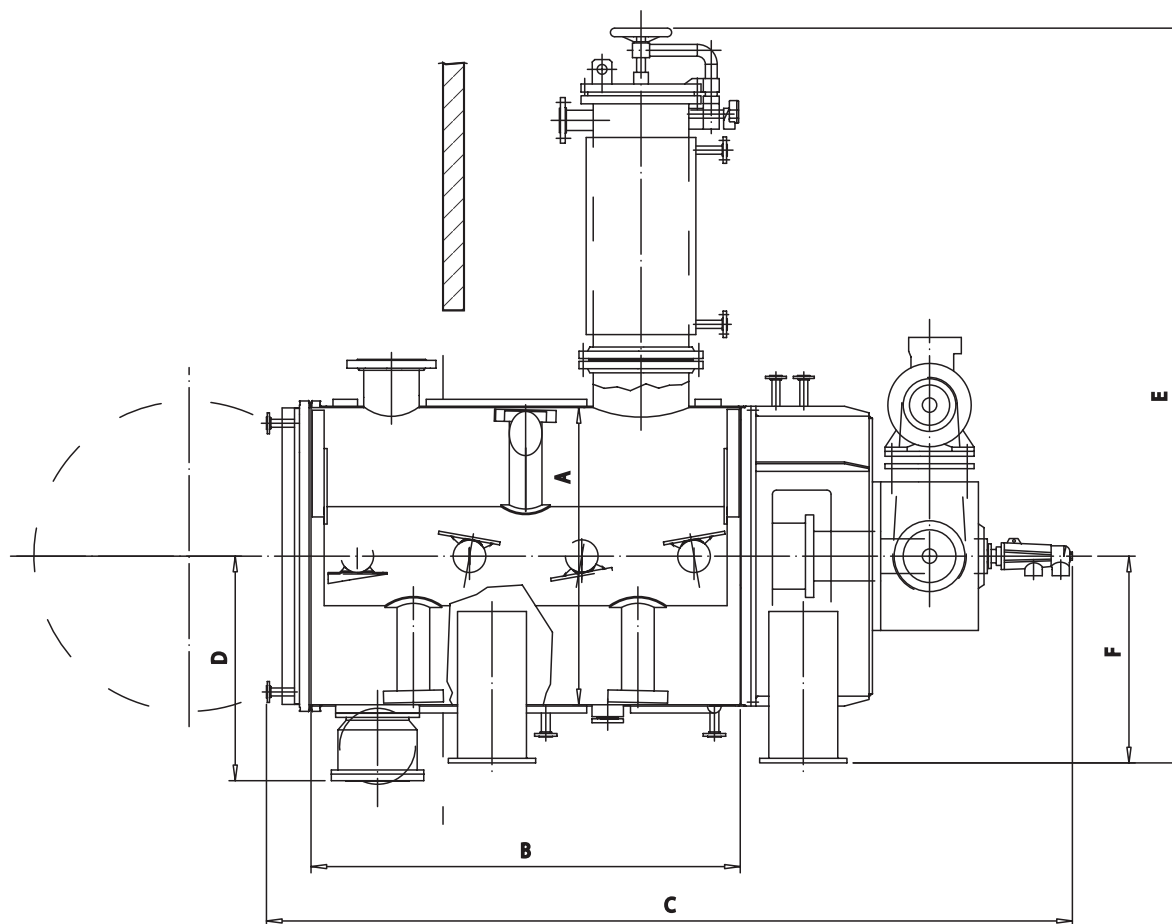
- Available volumes from 200 to 3.000 litres
- Hinged end with C-clamp or bayonet closure
- Wet or "lift-off" double mechanical seal
- Separation between clean room / industrial area
- Available in chemical, pharmaceutical and sterile versions
- Vacuum, solvent recovery, heating & cooling, inerting systems
- PLC automation systems
- Material in contact with the product: 316 L Stainless Steel, SAF 2205, Uranus B6, Hastelloy C 22, Titanium and many more



3V Cogeim offer their customers an efficient network of after-sales service, a large number of rental pilot units, a modern pilot plant, an unequalled research and development division, and take great pride in the ability to team-work with their customers.



STERIDRY ES



	Total volume m ³	Product volume m ³	A mm	B mm	C mm	D mm	E mm	F mm
ES 200	0,19	0,13	550	800	2400	460	1875	200
ES 300	0,37	0,24	700	954	2600	535	1925	250
ES 600	0,62	0,40	850	1100	3020	610	2365	350
ES 1000	1,02	0,64	1000	1300	2920	800	2465	625
ES 1500	1,52	0,97	1100	1600	3290	850	2637	660
ES 2000	1,87	1,19	1200	1650	3420	980	2980	700
ES 2500	2,39	1,49	1300	1800	3640	1030	3170	800
ES 3000	3,18	1,95	1500	1800	3790	1130	3370	1000



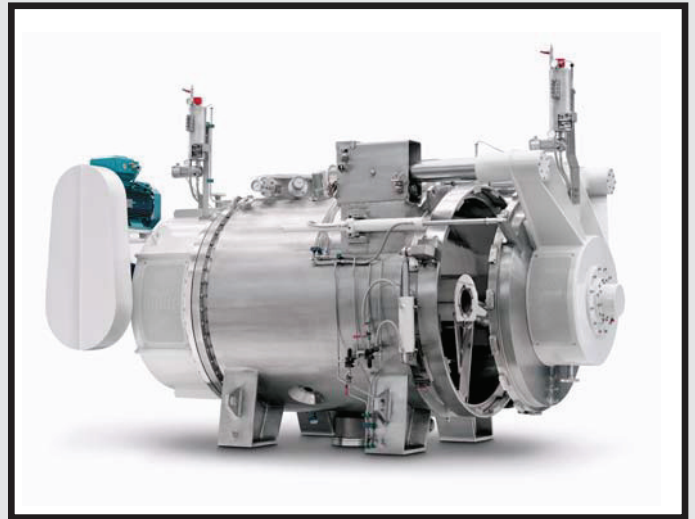
STERIDRY EP

FEATURES

- Horizontal vacuum paddle dryer
- Recommended for vacuum drying of powders
- Includes: a hydraulically actuated, quick-opening flat end, a bolted end, a special agitator supported on both ends, with heated paddles, two double mechanical seals, a dust filter, and a bottom mounted discharge valve

OPTIONS

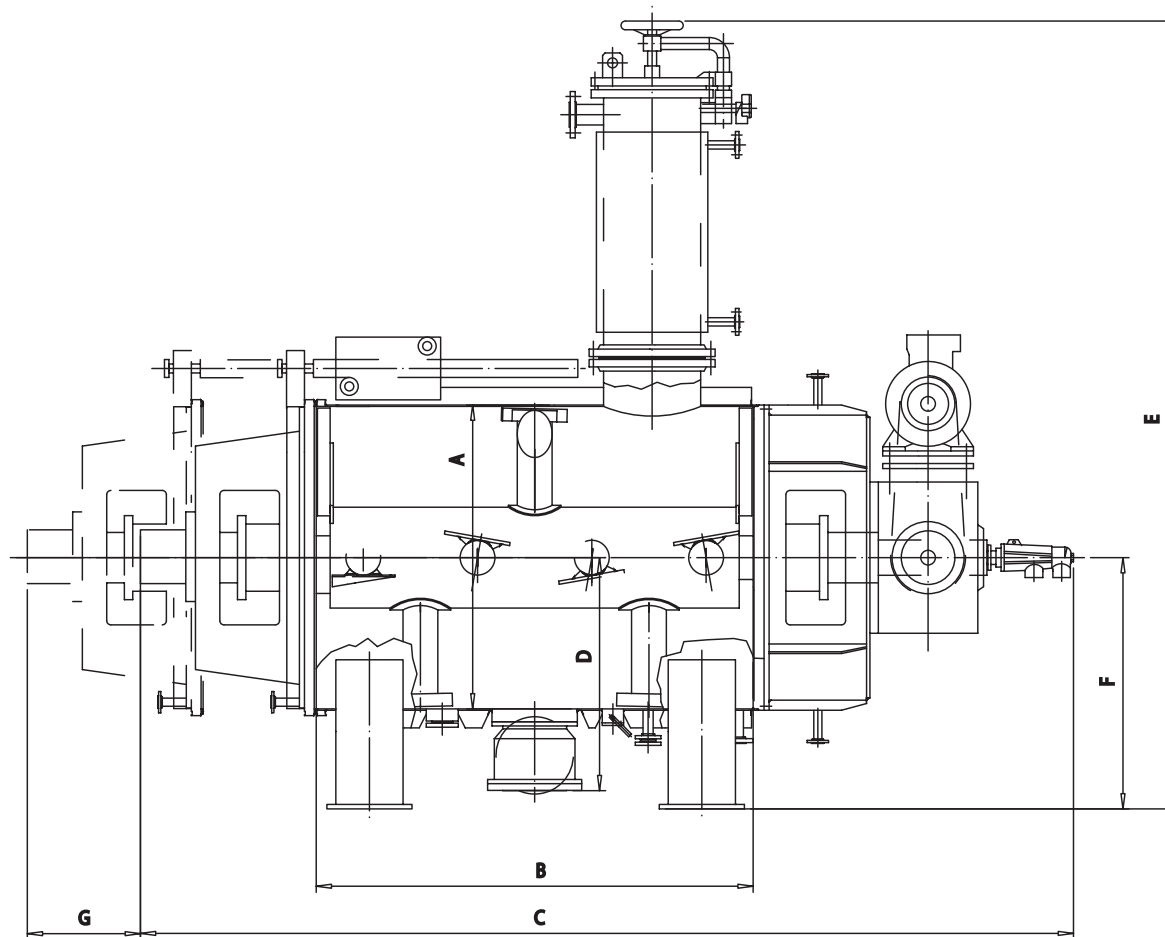
- Available volumes from 2.500 to 10.000 litres
- Removable end with C-clamps or bayonet closure
- Wet or "lift-off" double mechanical seals
- Separation between clean room / industrial area
- Available in chemical, pharmaceutical and sterile versions
- Vacuum, solvent recovery, heating & cooling, inerting systems
- PLC automation systems
- Material in contact with the product: 316 L Stainless Steel, SAF 2205, Uranus B6, Hastelloy C 22 and many more.



3V Cogeim offer their customers an efficient network of after-sales service, a large number of rental pilot units, a modern pilot plant, an unequalled research and development division, and take great pride in the ability to team-work with their customers.



STERIDRY EP



	Total volume m ³	Product volume m ³	A mm	B mm	C mm	D mm	E mm	F mm	G mm
EP 2500	2,39	1,43	1300	1800	4200	1030	3420	1050	500
EP 3000	3,18	1,95	1500	1800	4240	1130	3520	1150	500
EP 4000	4,09	2,52	1700	1800	4240	1240	3620	1250	500
EP 4500	4,55	2,81	1700	2000	4650	1240	3620	1250	500
EP 5000	5,00	3,09	1700	2200	4910	1240	3987	1250	500
EP 6000	6,62	4,11	1800	2600	5440	1300	3670	1370	500
EP 8000	7,94	4,91	1900	2800	5750	1350	4460	1450	500
EP 10000	10,40	6,41	2100	3000	6000	1540	4610	1600	500



CHEMIDRY EC

FEATURES

- Horizontal vacuum paddle dryer
- Recommended for vacuum drying of powders
- Includes: one bolted end and one welded end, a special agitator supported on both ends with heated paddles, two double mechanical seals, a dust filter, a bottom mounted discharge valve

OPTIONS

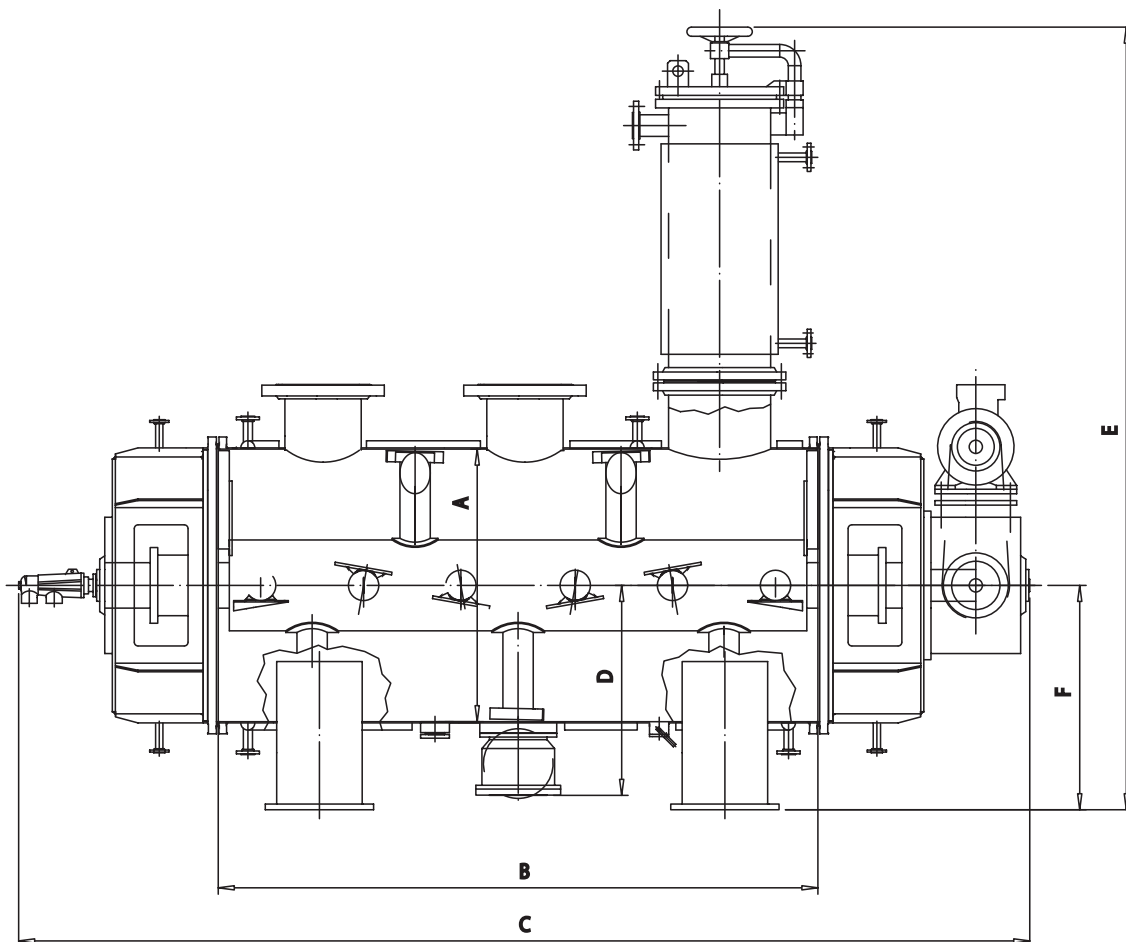
- Available volumes from 200 to 22.000 litres
- Vacuum, solvent recovery, heating & cooling, inerting systems
- PLC automation systems
- Material in contact with the product: 316 L Stainless Steel, SAF 2205, Uranus B6, Hastelloy C 22, Titanium and many more



3V Cogeim offer their customers an efficient network of after-sales service, a large number of rental pilot units, a modern pilot plant, an unequalled research and development division, and take great pride in the ability to team-work with their customers.



CHEMIDRY EC



	Total volume m ³	Product volume m ³	A mm	B mm	C mm	D mm	E mm	F mm
EC 200	0,19	0,13	550	800	2800	460	1975	300
EC 1500	1,57	1,00	1000	2000	5000	805	2727	750
EC 2000	2,03	1,30	1200	1800	5200	990	3180	900
EC 3000	3,39	2,16	1200	3000	5585	990	3270	900
EC 4000	4,02	2,56	1200	3550	6135	990	3270	900
EC 5000	4,92	3,02	1400	3200	5950	1100	3887	1150
EC 6000	6,16	3,74	1400	4000	6750	1100	4301	1150
EC 8000	8,04	4,96	1600	4000	6950	1200	4301	1250
EC 10000	10,18	6,29	1800	4000	7130	1380	4000	1450
EC 12500	12,47	7,70	1800	4900	8050	1380	4000	1450
EC 15000	14,25	8,74	1800	5600	8950	1380	5645	1450
EC 18000	18,69	11,42	2080	5500	9100	1540	5945	1650
EC 22000	22,05	13,40	2200	5800	9400	1620	6595	1800

